

Thank you for selecting Casabianca Home and letting us become part of your story.

Assembly Tips:



- * Assemble this product on soft, scratch-free surface such as a carpet or cardboard to prevent scratching on the product.
- * Sometimes hardware can be found inside drawers or underneath products.
- * Do not discard any of the packaging until you have successfully assembled the product.

NIGHTSTAND / END TABLE

CB-111-N-WA
5072-WAL



DOWNLOAD OUR APP AT
"CASABIANCA HOME
3D EXPERIENCE"



GENTLE WARNING

You will love it so much you'll never want to leave home!

Care Instructions

Casegoods (C): Dust with a soft, dry cloth. All spills should be cleaned up immediately. Use glass cleaners on glass only. DO NOT use any abrasive cleaning supplies.

We're here to help.

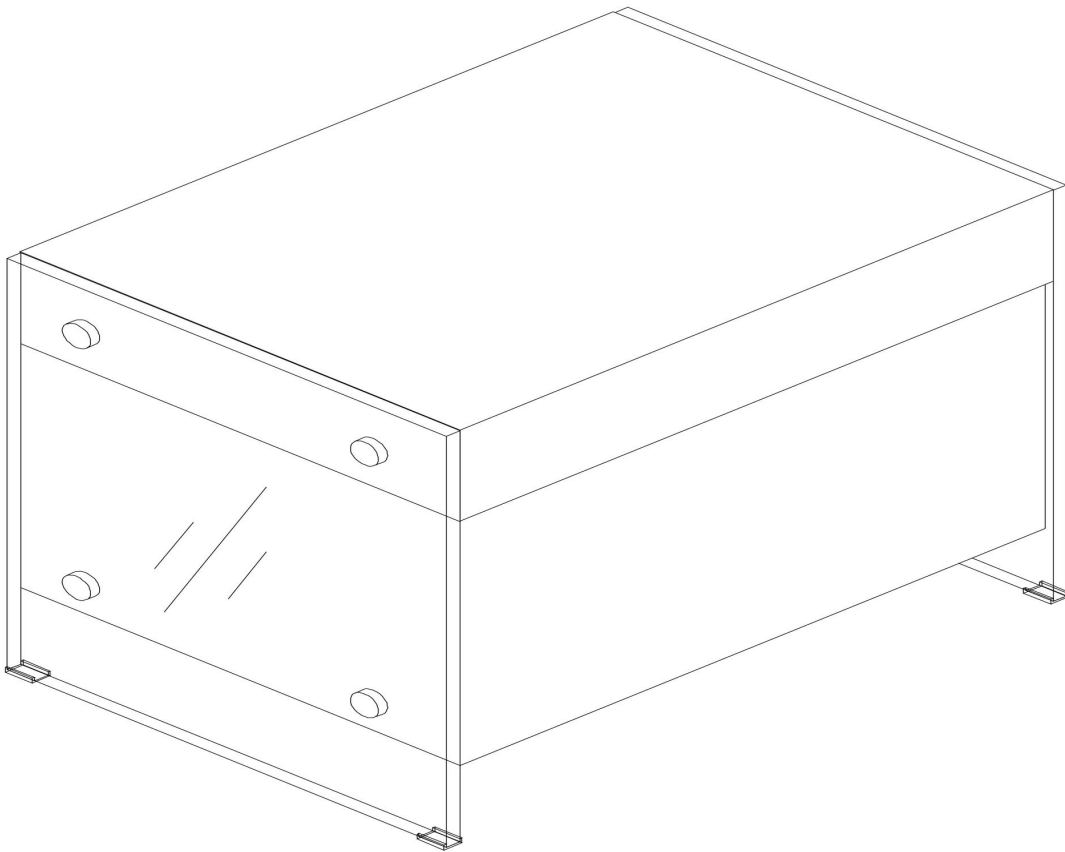
Need a little help with setup or hardware? Simply contact our support team at

support@casabiancafurniture.com

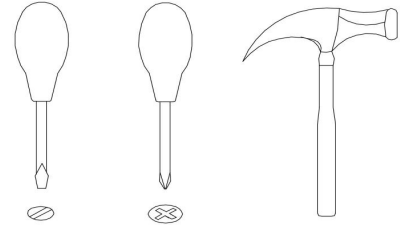
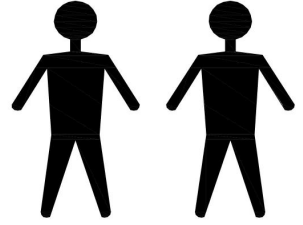
1(800) 652-6344

Mon-Fri 9:00am - 5:00pm EST

CP1110H5-HA



CP1110H5-HA



A x8
Spec:



B x8
Spec:



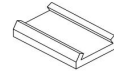
C x8
Spec:



D x8
Spec:



E x1
Spec: 5#



F x4
Spec:

