


ASSEMBLY INSTRUCTIONS

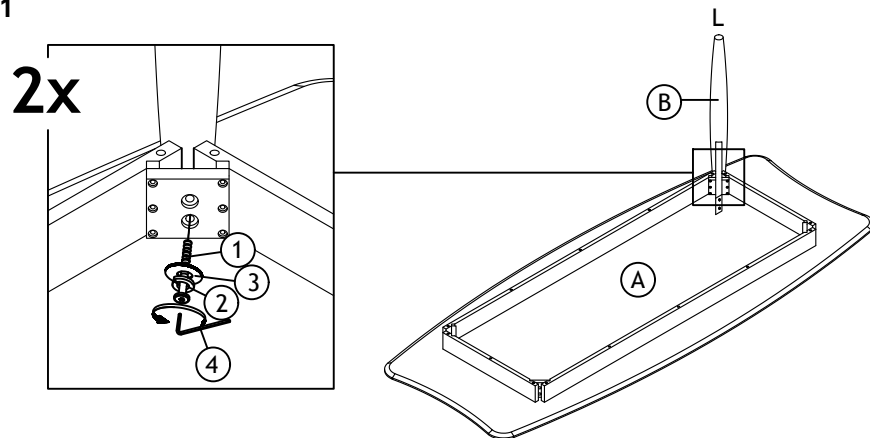
Read this instruction carefully. Refer hardware and furniture parts list for guidance. Be sure all parts are complete, before assembling. Place all wooden furniture part on a clean and flat soft surface to prevent scratches. Refer steps provided as assembling guide.

CAUTIONS :

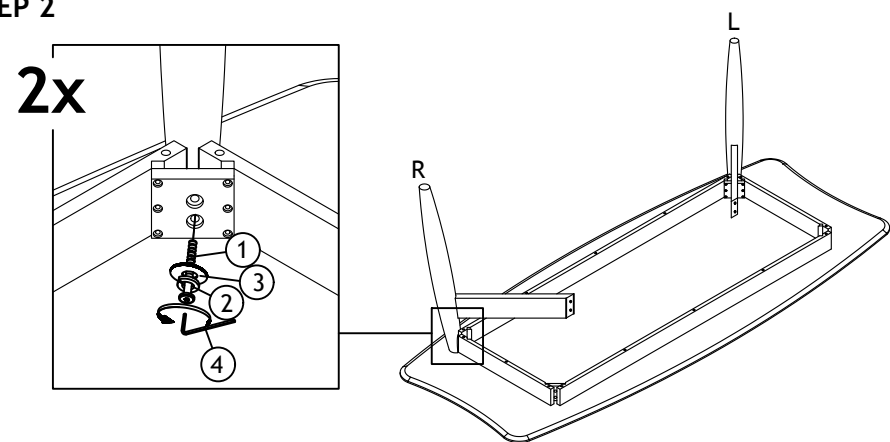
1. Do not **FULLY-TIGHTEN** the nuts or nut bolts until all are in place.
2. To prevent thread damage. Ensure that nuts or nut bolts are not over-tighten.
3. Hardware are to be kept out of reach from children.

PART LIST			HARDWARE LIST		
ITEM	DESCRIPTION	QTY	ITEM	DESCRIPTION	QTY
A	TABLE TOP	1 PC	1	JCBB SCREW M8 x 70MM 	8 PCS
B	TABLE LEG (L & R)	4 PCS	2	SPRING WASHER 5/16" 	8 PCS
C	CENTER SUPPORT	1 PC	3	FLAT WASHER 5/16" 	8 PCS
			4	ALLEN KEY M5 	1 PC
			5	JCBC SCREW M6 x 30MM (BLK) 	8 PCS
			6	SPRING WASHER 1/4" (BLK) 	8 PCS
			7	WOOD DAWEL DIA 10 X 30MM 	4 PCS
			8	ALLEN KEY M4 BALL SHAPE(LONG) 	1 PC

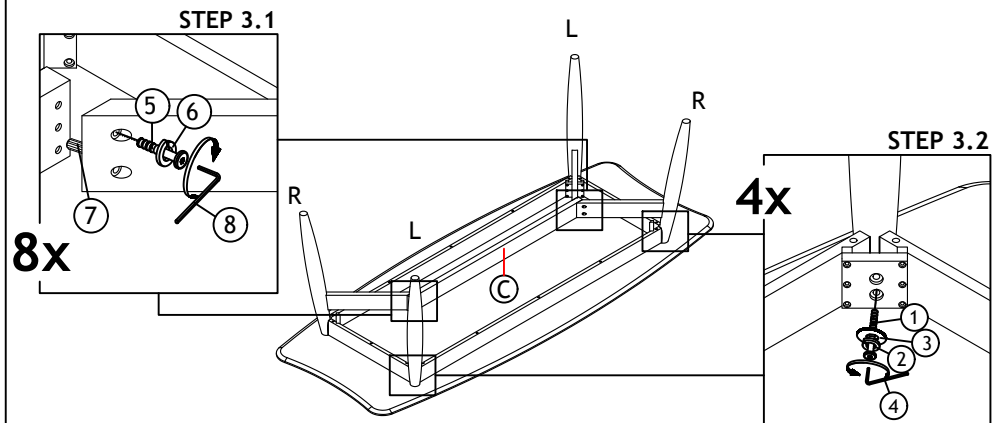
STEP 1



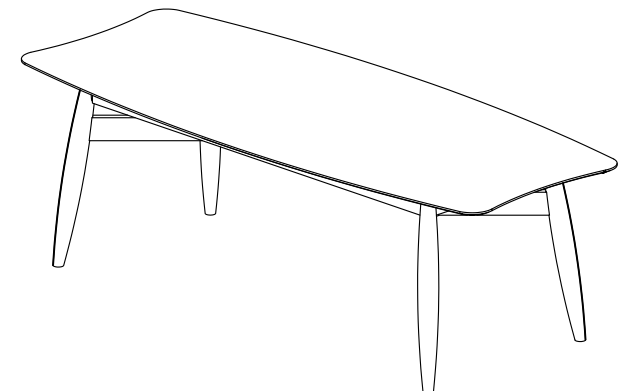
STEP 2



STEP 3



STEP 4



ASSEMBLY COMPLETED